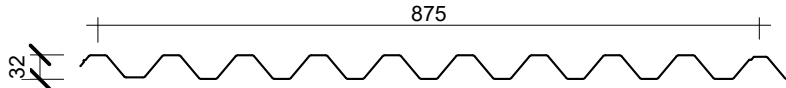
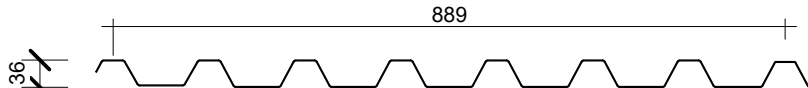
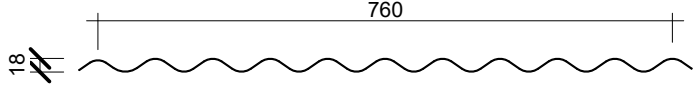
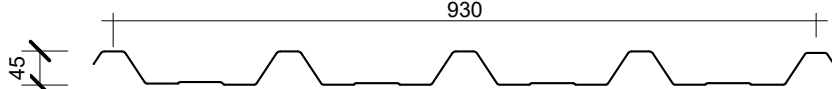
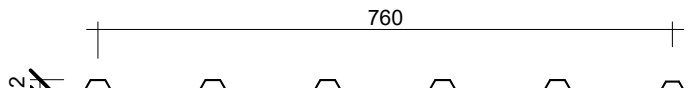
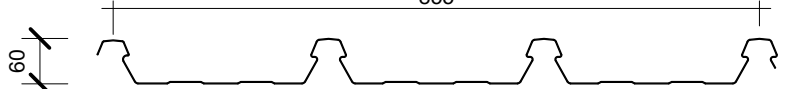
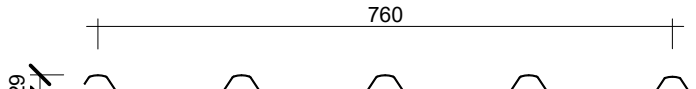
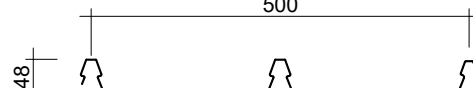
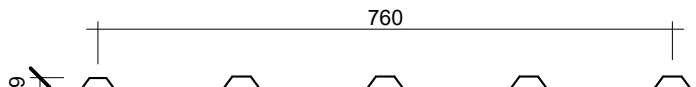
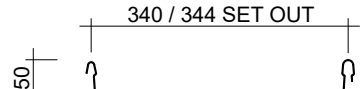
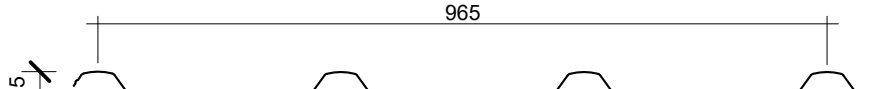
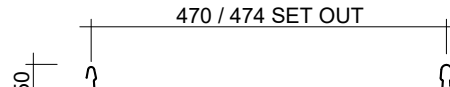
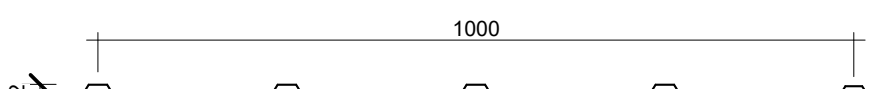
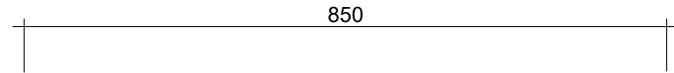
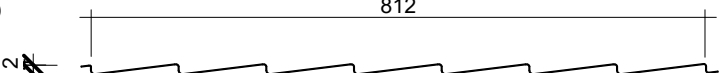
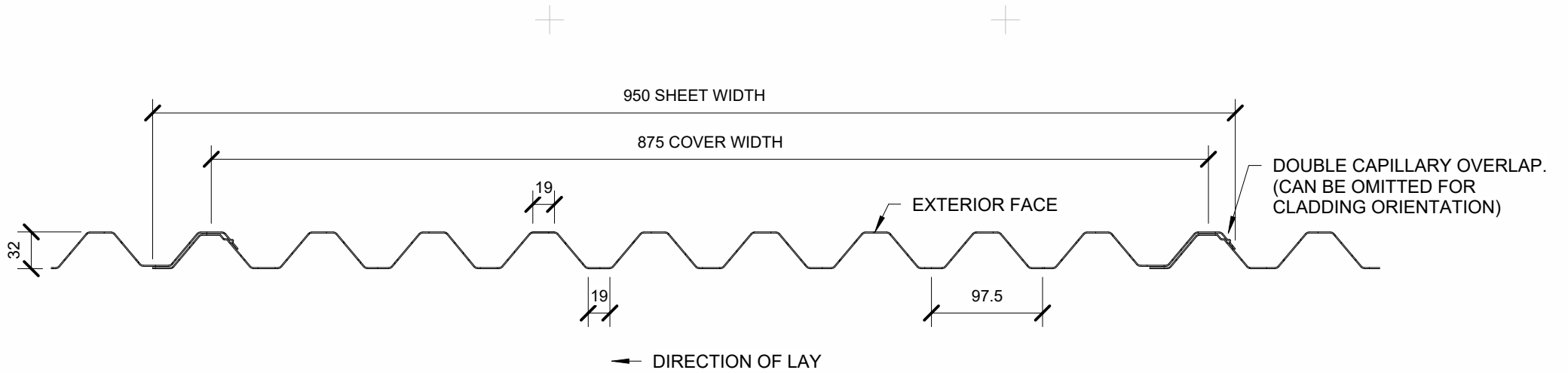
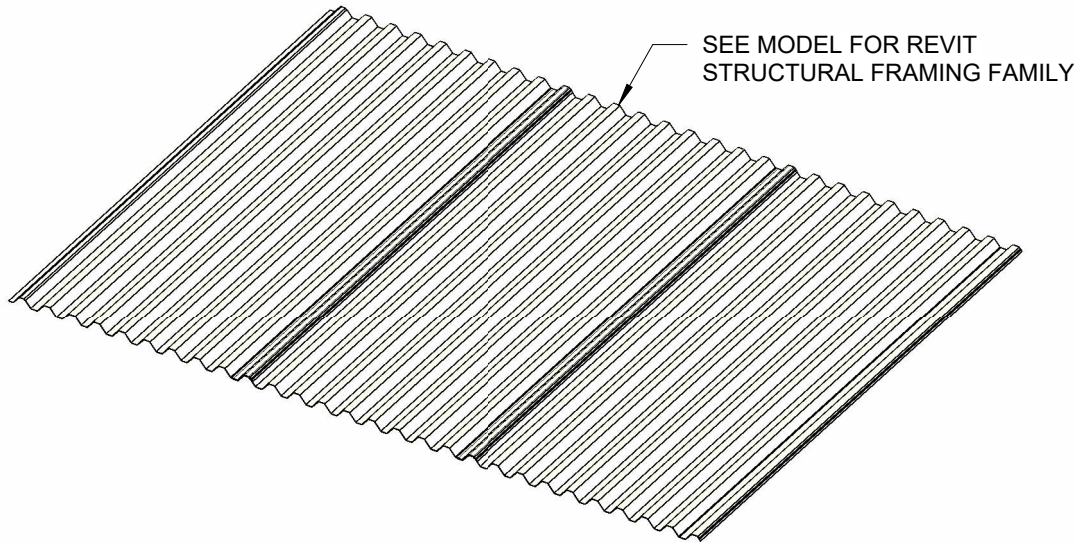


<b>KAHU™</b> 	<b>METCOM 7</b> 
<b>CORRUGATE</b> 	<b>METCOM 930</b> 
<b>METRIB 760</b> 	<b>METDEK 855</b> 
<b>T-RIB</b> 	<b>METDEK 500</b> 
<b>MC760</b> 	<b>ESPAN 340</b> 
<b>METCOM 965</b> 	<b>ESPAN 470</b> 
<b>MC1000</b> 	<b>METCLAD 850</b> 
	<b>BEVELBACK WEATHERBOARD</b> 

ALL PROFILE DIMENSIONS ARE NOMINAL AND MAY VARY WITH MATERIALS

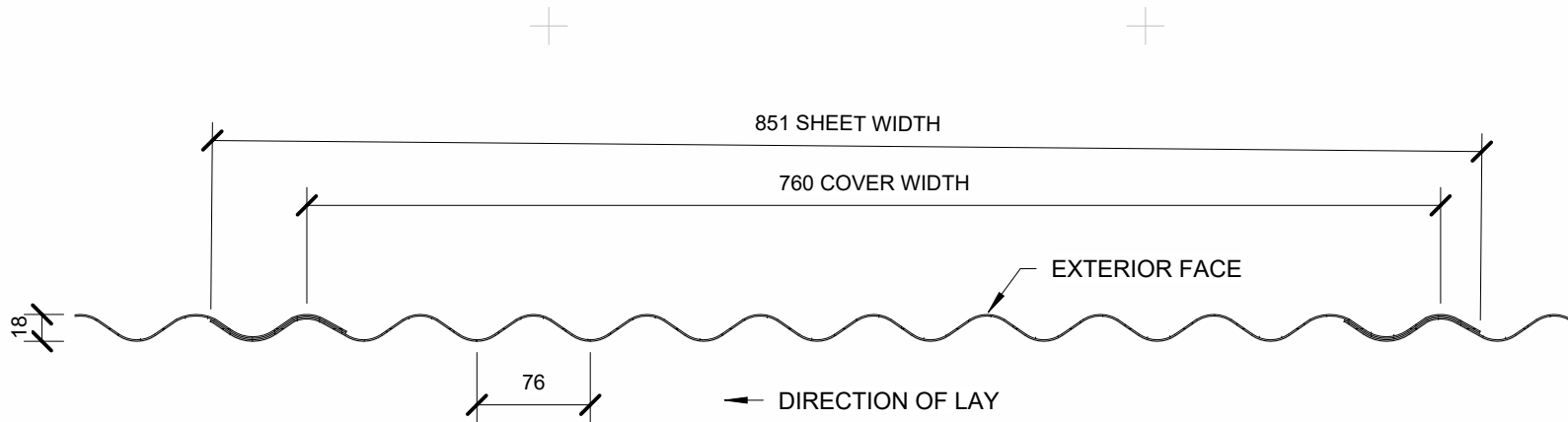


PROFILE DIMENSIONS ARE NOMINAL AND VARY WITH MANUFACTURING AND INSTALLATION TOLERANCES

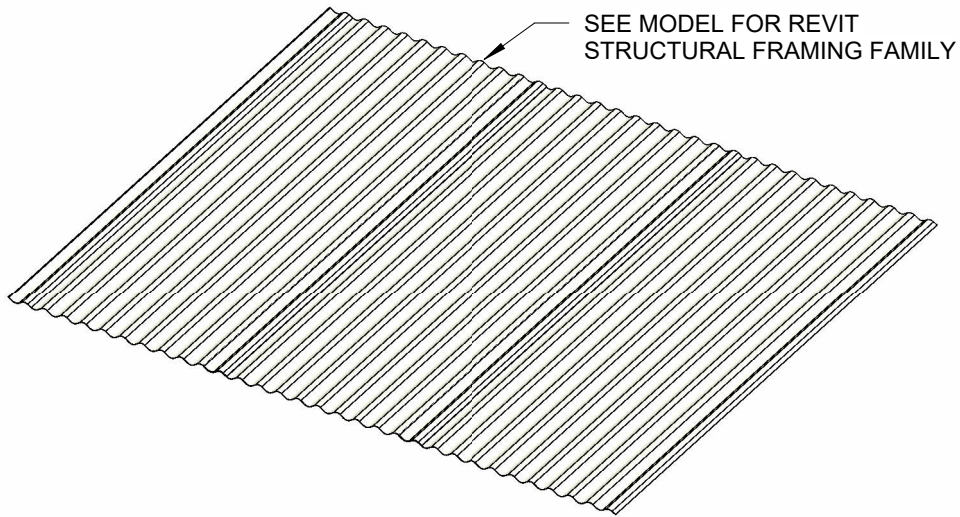


MINIMUM PITCH: 3 DEGREES AFTER DEFLECTION  
 APPLICATIONS: COMMERCIAL AND RESIDENTIAL  
 ORIENTATION: ROOFS, HORIZONTAL AND VERTICAL WALL CLADDING

FOR MORE INFORMATION ON SCOPE AND LIMITATIONS OF USE REFER TO:  
[WWW.METALCRAFTGROUP.CO.NZ](http://WWW.METALCRAFTGROUP.CO.NZ)

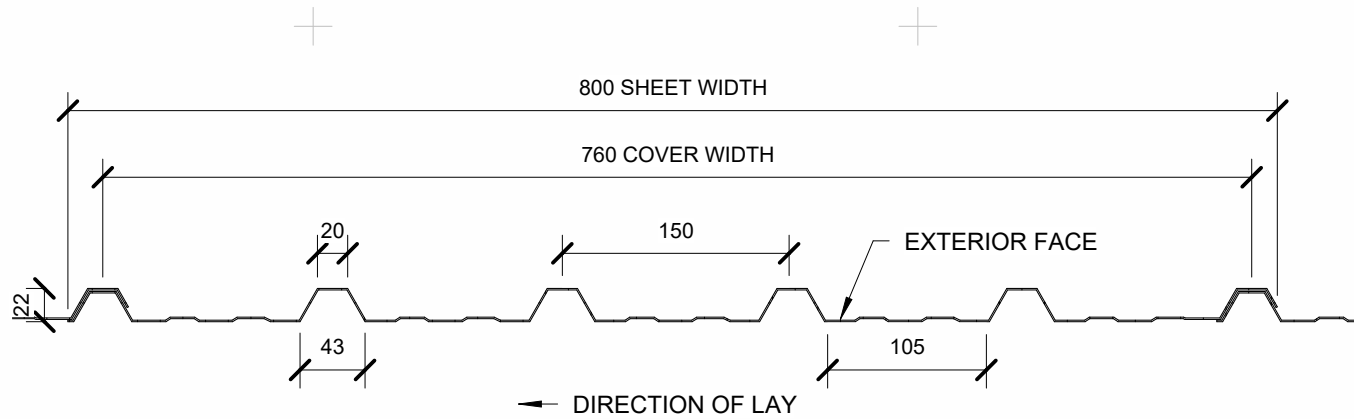


PROFILE DIMENSIONS ARE NOMINAL AND VARY WITH MANUFACTURING AND INSTALLATION TOLERANCES

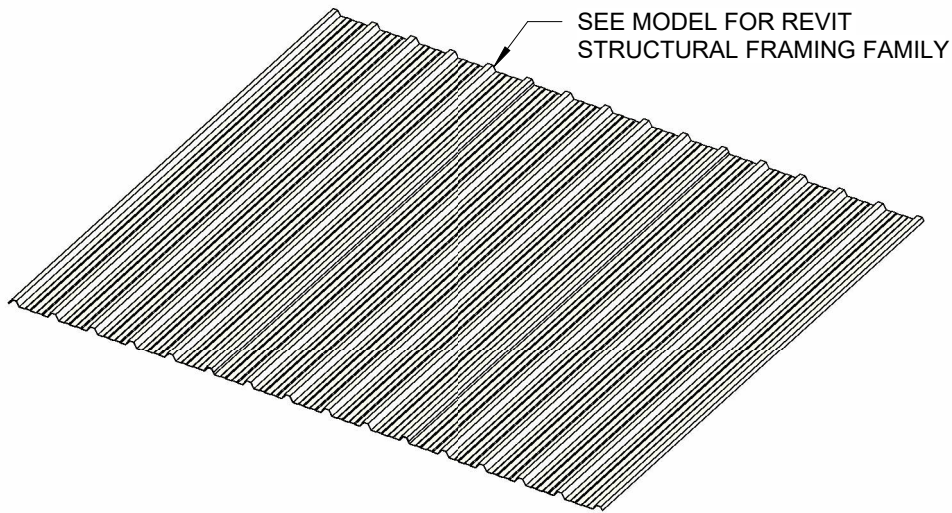


MINIMUM PITCH: 8 DEGREES AFTER DEFLECTION  
 APPLICATIONS: COMMERCIAL AND RESIDENTIAL  
 ORIENTATION: ROOFS, HORIZONTAL AND VERTICAL WALL CLADDING

FOR MORE INFORMATION ON SCOPE AND LIMITATIONS OF USE REFER TO:  
[WWW.METALCRAFTGROUP.CO.NZ](http://WWW.METALCRAFTGROUP.CO.NZ)

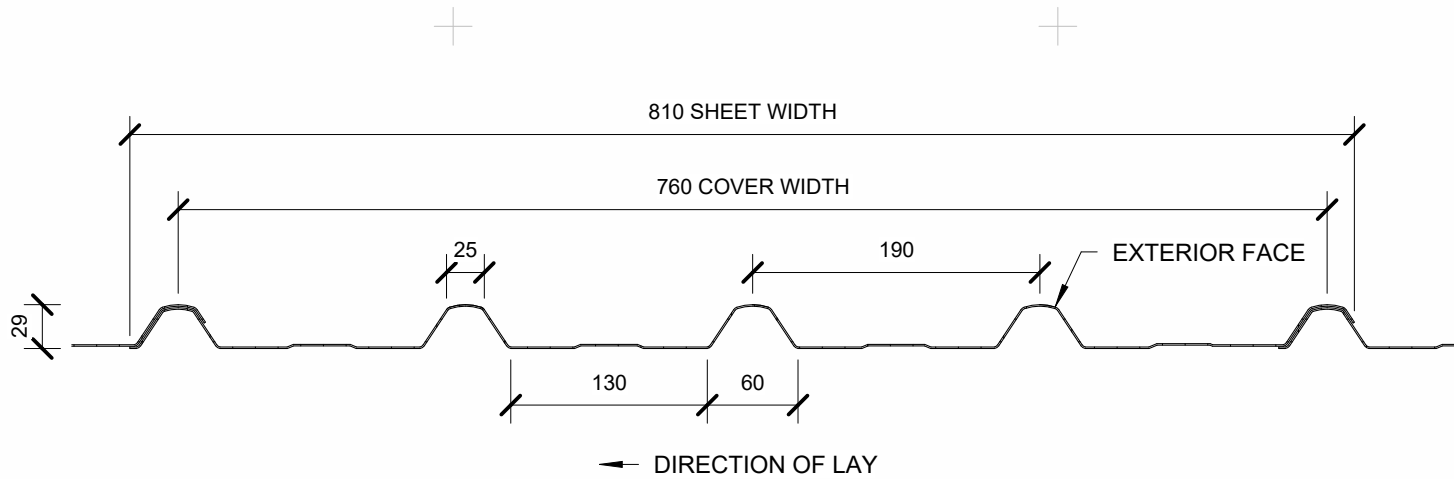


PROFILE DIMENSIONS ARE NOMINAL AND VARY WITH MANUFACTURING AND INSTALLATION TOLERANCES

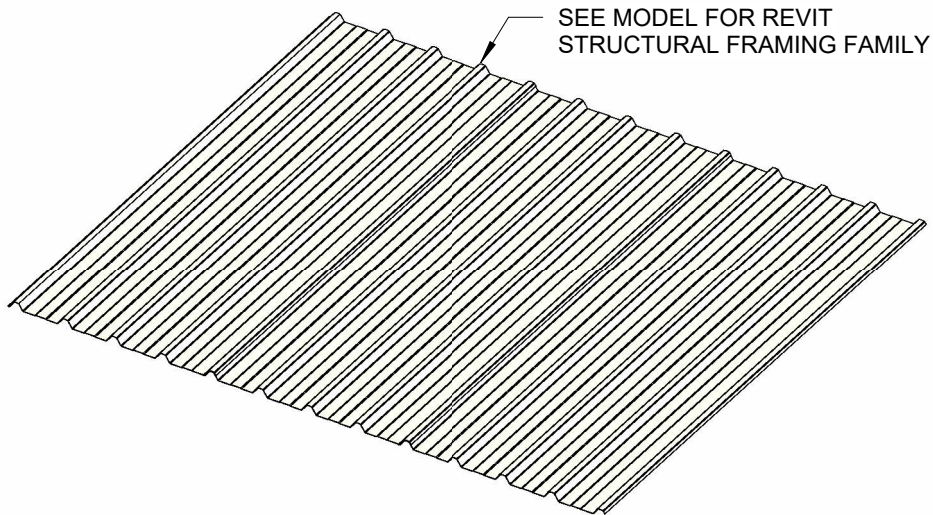


MINIMUM PITCH: 8 DEGREES AFTER DEFLECTION  
 APPLICATIONS: COMMERCIAL AND RESIDENTIAL  
 ORIENTATION: ROOFS, HORIZONTAL AND VERTICAL WALL CLADDING

FOR MORE INFORMATION ON SCOPE AND LIMITATIONS OF USE REFER TO:  
[WWW.METALCRAFTGROUP.CO.NZ](http://WWW.METALCRAFTGROUP.CO.NZ)



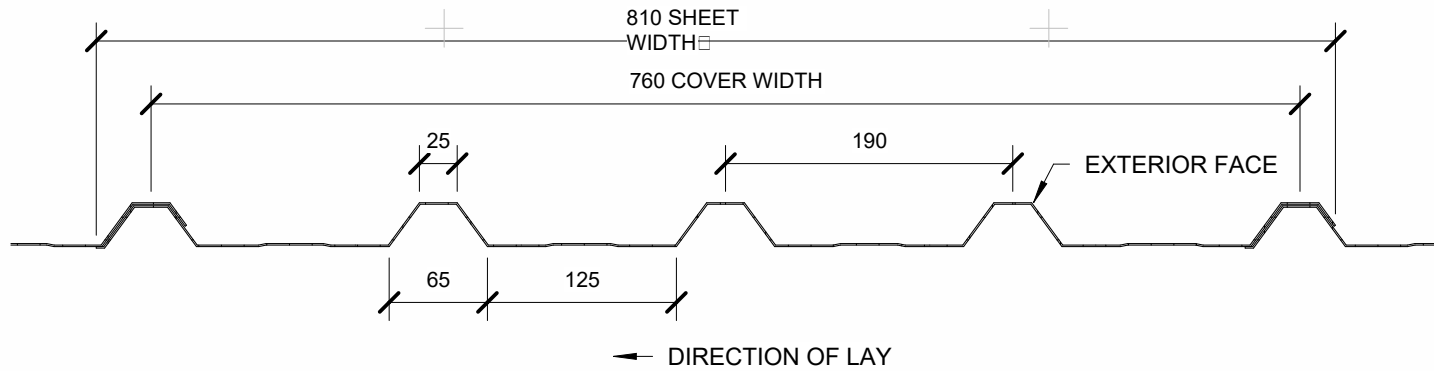
PROFILE DIMENSIONS ARE NOMINAL AND VARY WITH MANUFACTURING AND INSTALLATION TOLERANCES



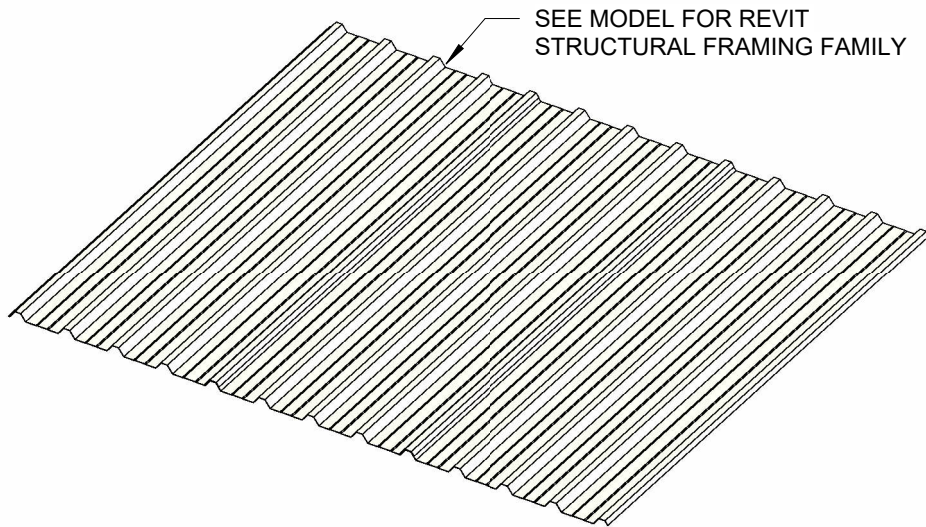
MINIMUM PITCH: 3 DEGREES AFTER DEFLECTION  
 APPLICATIONS: COMMERCIAL AND RESIDENTIAL  
 ORIENTATION: ROOFS, HORIZONTAL AND VERTICAL WALL CLADDING

FOR MORE INFORMATION ON SCOPE AND LIMITATIONS OF USE REFER TO:  
[WWW.METALCRAFTGROUP.CO.NZ](http://WWW.METALCRAFTGROUP.CO.NZ)



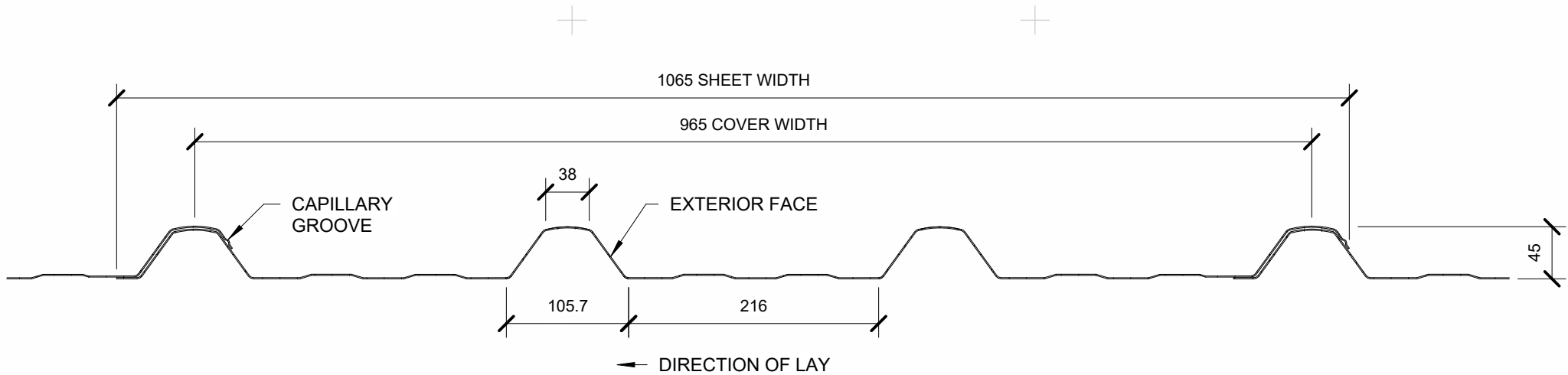


PROFILE DIMENSIONS ARE NOMINAL AND VARY WITH MANUFACTURING AND INSTALLATION TOLERANCES

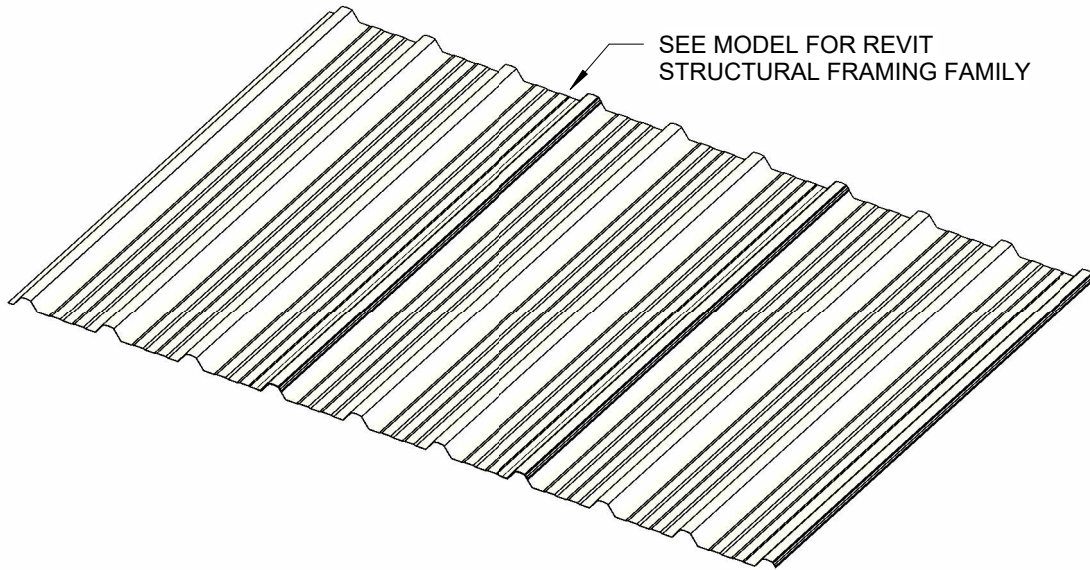


MINIMUM PITCH: 3 DEGREES AFTER DEFLECTION  
 APPLICATIONS: COMMERCIAL AND RESIDENTIAL  
 ORIENTATION: ROOFS, HORIZONTAL AND VERTICAL WALL CLADDING

FOR MORE INFORMATION ON SCOPE AND LIMITATIONS OF USE REFER TO:  
[WWW.METALCRAFTGROUP.CO.NZ](http://WWW.METALCRAFTGROUP.CO.NZ)

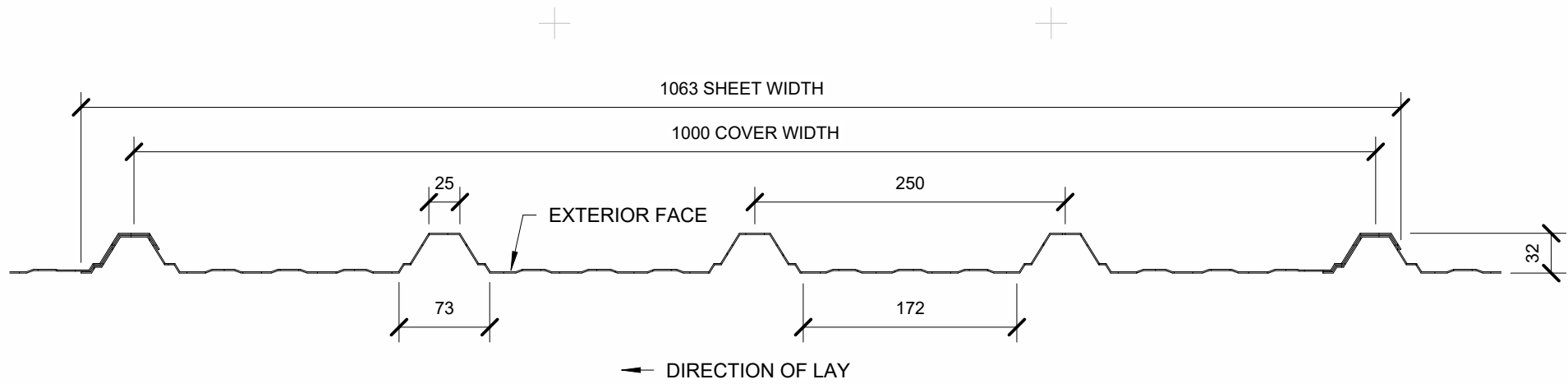


PROFILE DIMENSIONS ARE NOMINAL AND VARY WITH MANUFACTURING AND INSTALLATION TOLERANCES

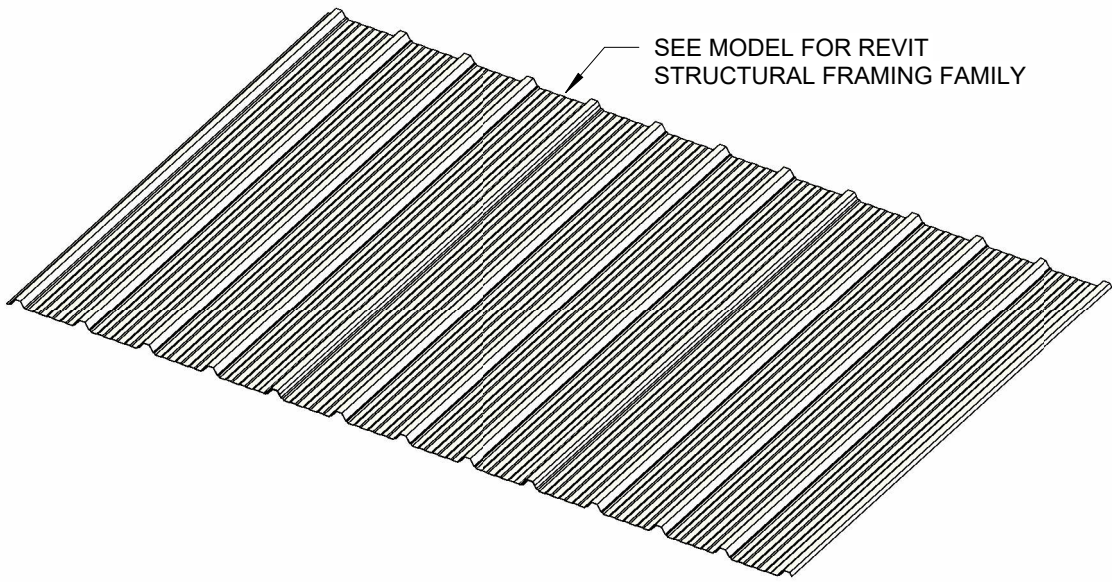


MINIMUM PITCH: 3 DEGREES AFTER DEFLECTION  
 APPLICATIONS: COMMERCIAL AND RESIDENTIAL  
 ORIENTATION: ROOFS, HORIZONTAL AND VERTICAL WALL CLADDING

FOR MORE INFORMATION ON SCOPE AND LIMITATIONS OF USE REFER TO:  
[WWW.METALCRAFTGROUP.CO.NZ](http://WWW.METALCRAFTGROUP.CO.NZ)



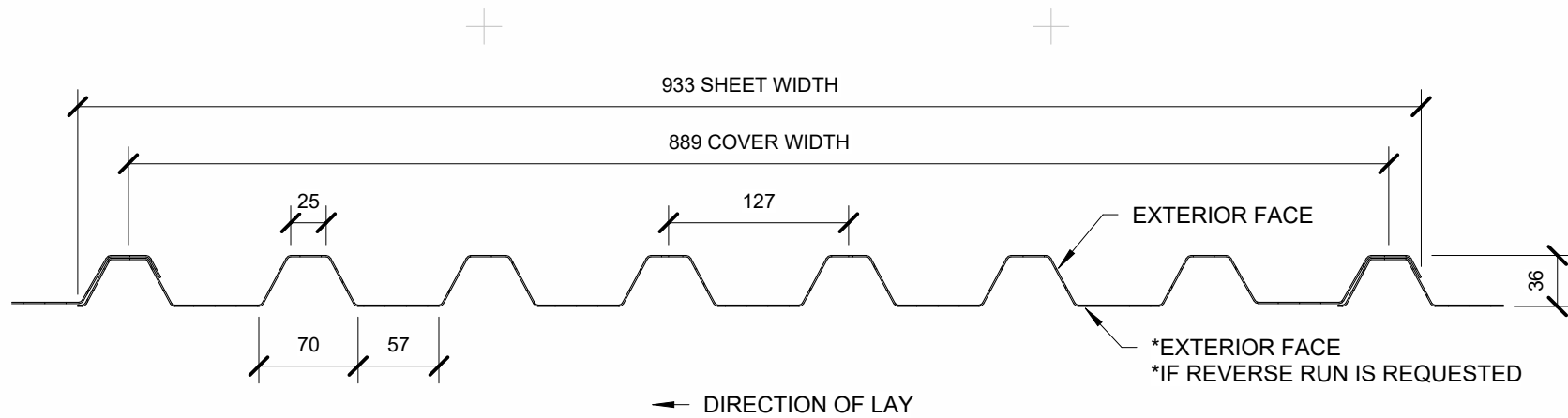
PROFILE DIMENSIONS ARE NOMINAL AND VARY WITH MANUFACTURING AND INSTALLATION TOLERANCES



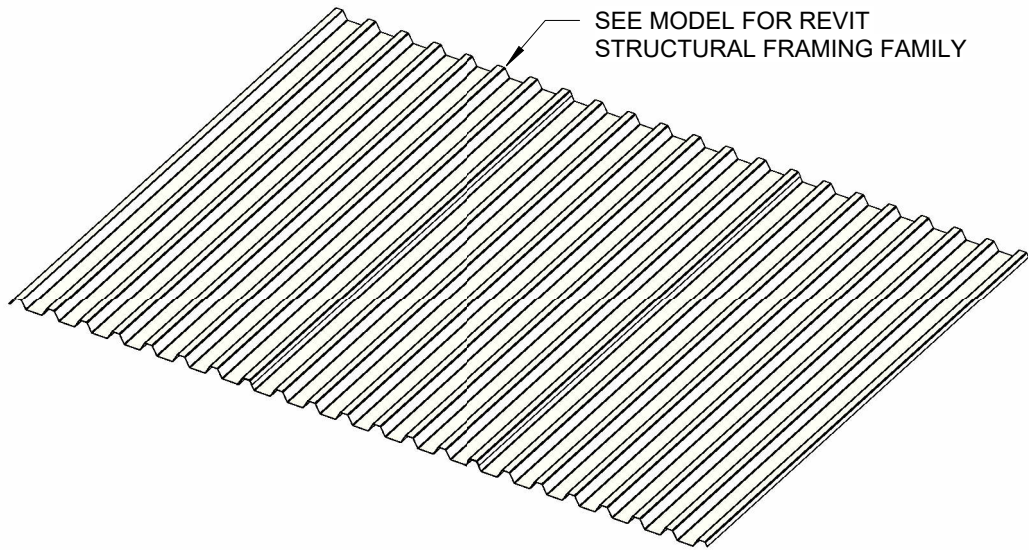
MINIMUM PITCH: 3 DEGREES AFTER DEFLECTION  
 APPLICATIONS: COMMERCIAL AND RESIDENTIAL  
 ORIENTATION: ROOFS, HORIZONTAL AND VERTICAL WALL CLADDING

FOR MORE INFORMATION ON SCOPE AND LIMITATIONS OF USE REFER TO:  
[WWW.METALCRAFTGROUP.CO.NZ](http://WWW.METALCRAFTGROUP.CO.NZ)



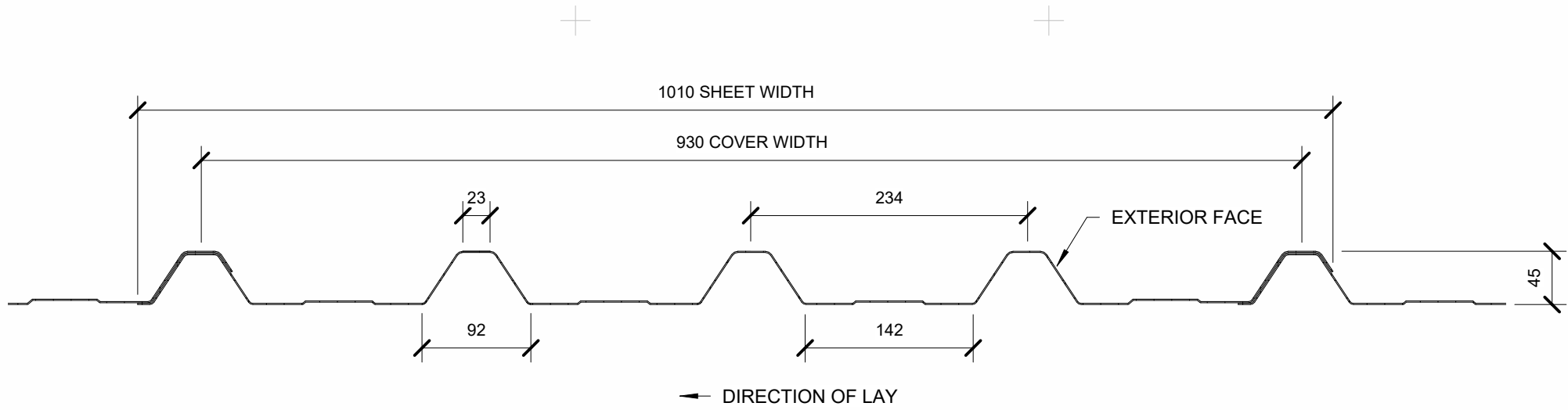


PROFILE DIMENSIONS ARE NOMINAL AND VARY WITH MANUFACTURING AND INSTALLATION TOLERANCES

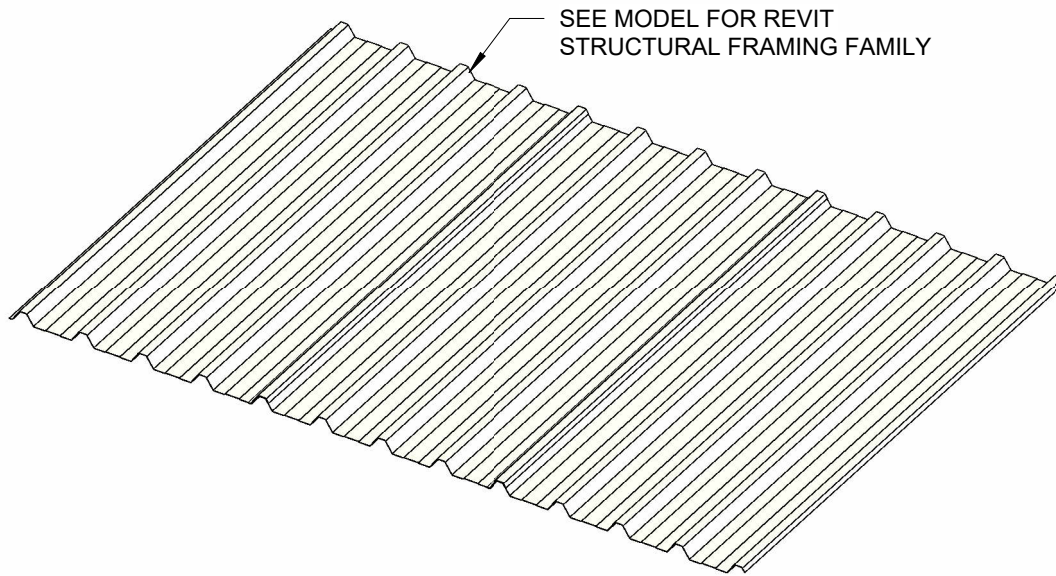


MINIMUM PITCH: 3 DEGREES AFTER DEFLECTION  
 APPLICATIONS: COMMERCIAL AND RESIDENTIAL  
 ORIENTATION: ROOFS, HORIZONTAL AND VERTICAL WALL CLADDING

FOR MORE INFORMATION ON SCOPE AND LIMITATIONS OF USE REFER TO:  
[WWW.METALCRAFTGROUP.CO.NZ](http://WWW.METALCRAFTGROUP.CO.NZ)

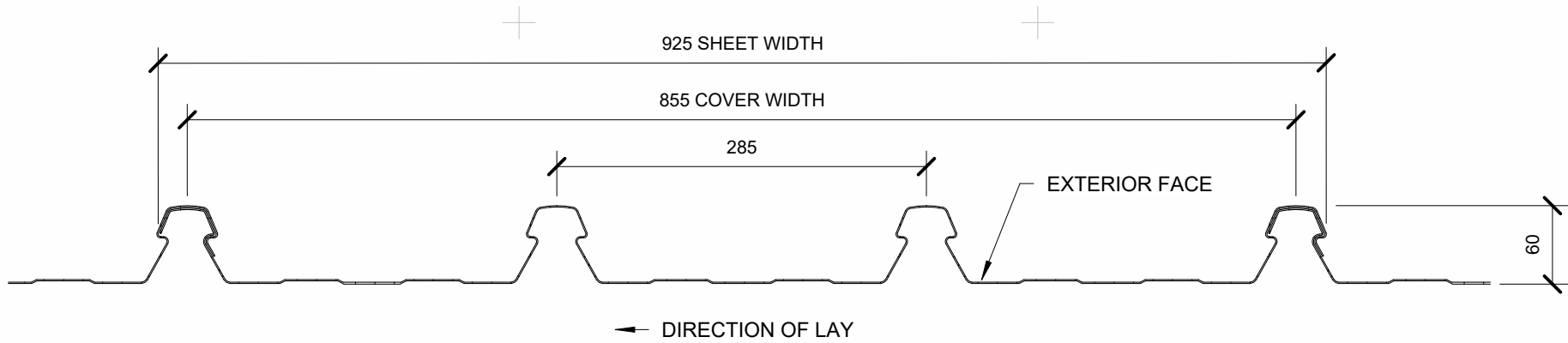


PROFILE DIMENSIONS ARE NOMINAL AND VARY WITH MANUFACTURING AND INSTALLATION TOLERANCES

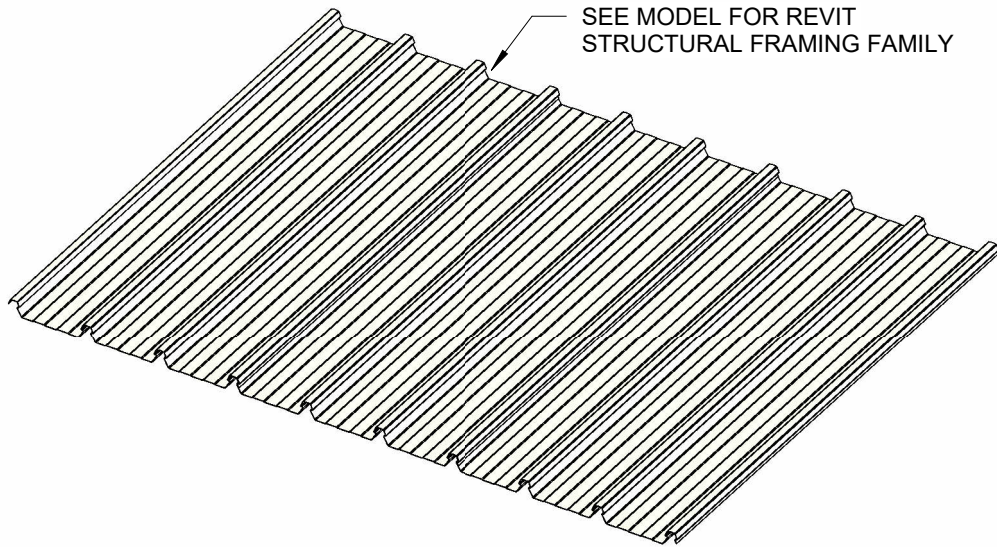


MINIMUM PITCH: 3 DEGREES AFTER DEFLECTION  
 APPLICATIONS: COMMERCIAL AND RESIDENTIAL  
 ORIENTATION: ROOFS, HORIZONTAL AND VERTICAL WALL CLADDING

FOR MORE INFORMATION ON SCOPE AND LIMITATIONS OF USE REFER TO:  
[WWW.METALCRAFTGROUP.CO.NZ](http://WWW.METALCRAFTGROUP.CO.NZ)



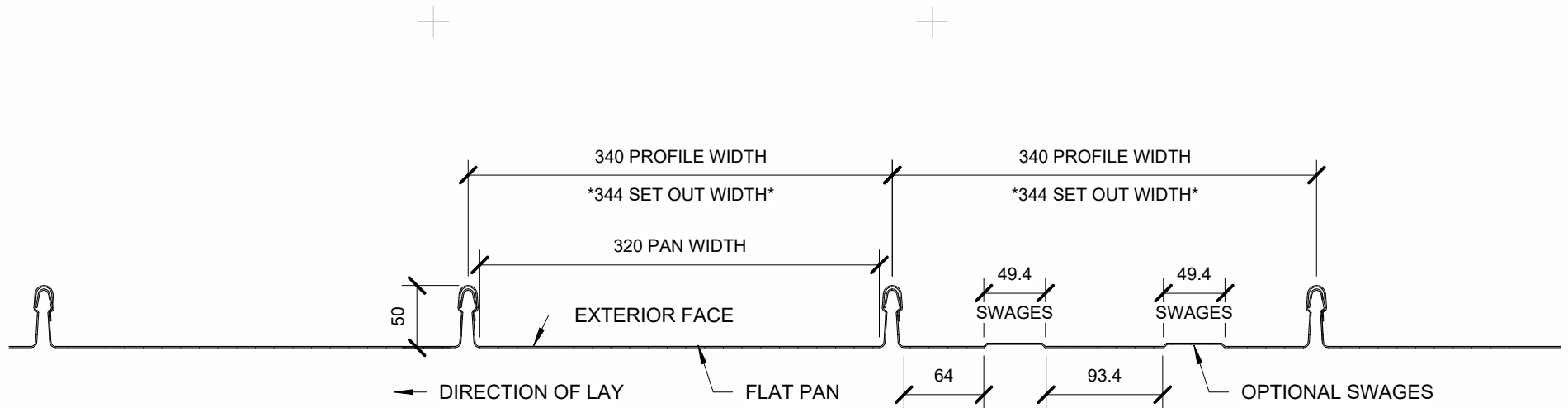
PROFILE DIMENSIONS ARE NOMINAL AND VARY WITH MANUFACTURING AND INSTALLATION TOLERANCES



MINIMUM PITCH: 3 DEGREES AFTER DEFLECTION  
 APPLICATIONS: LARGE COMMERCIAL  
 ORIENTATION: ROOFS AND VERTICAL WALL CLADDING

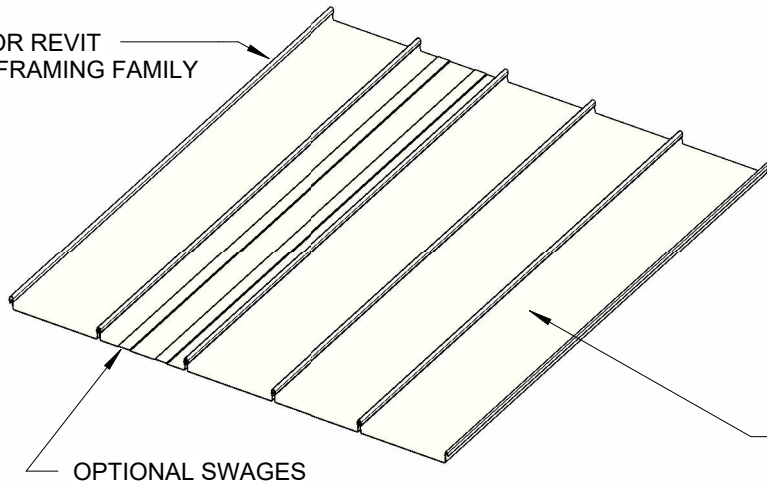
FOR MORE INFORMATION ON SCOPE AND LIMITATIONS OF USE REFER TO:  
[WWW.METALCRAFTGROUP.CO.NZ](http://WWW.METALCRAFTGROUP.CO.NZ)





PROFILE DIMENSIONS ARE NOMINAL AND VARY WITH MANUFACTURING AND INSTALLATION TOLERANCES

SEE MODEL FOR REVIT  
STRUCTURAL FRAMING FAMILY

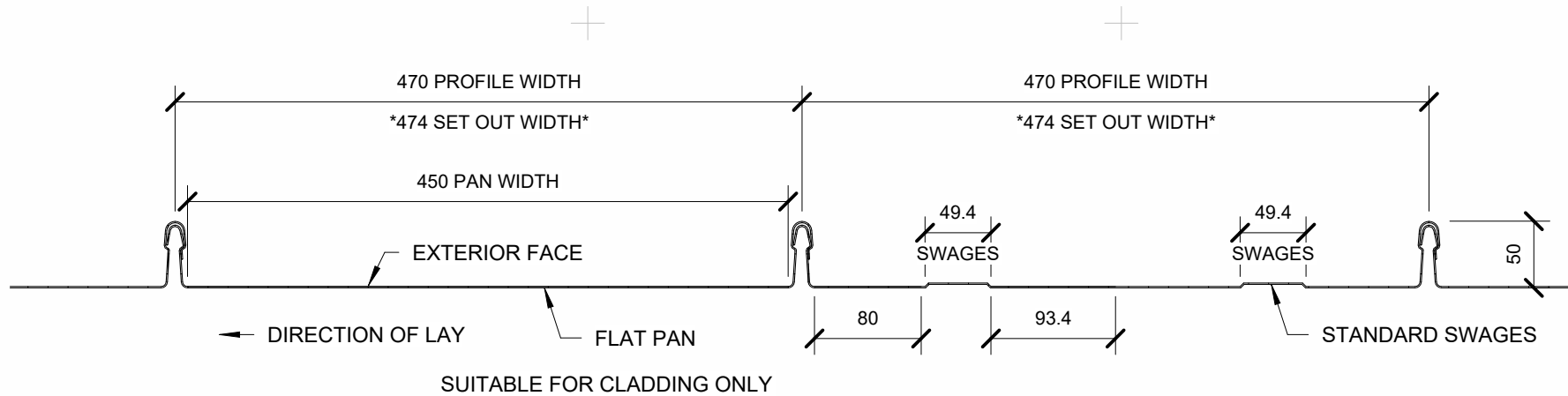


MINIMUM PITCH: 3 DEGREES AFTER DEFLECTION  
APPLICATIONS: COMMERCIAL AND RESIDENTIAL  
ORIENTATION: ROOFS AND VERTICAL WALL CLADDING

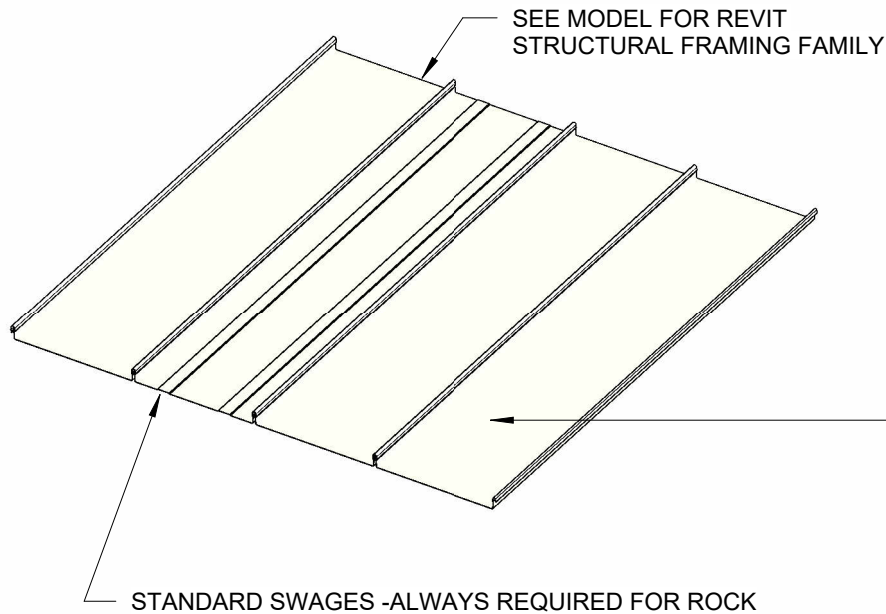
FOR MORE INFORMATION ON SCOPE AND LIMITATIONS OF USE REFER TO:  
[WWW.METALCRAFTGROUP.CO.NZ](http://WWW.METALCRAFTGROUP.CO.NZ)

ESPAN . LOW, MEDIUM, HIGH VERY HIGH, EXTREMELY HIGH = SUITABLE.  
REFER TO PRODUCT SELECTOR FOR SUITABILITY IN WIND ZONES





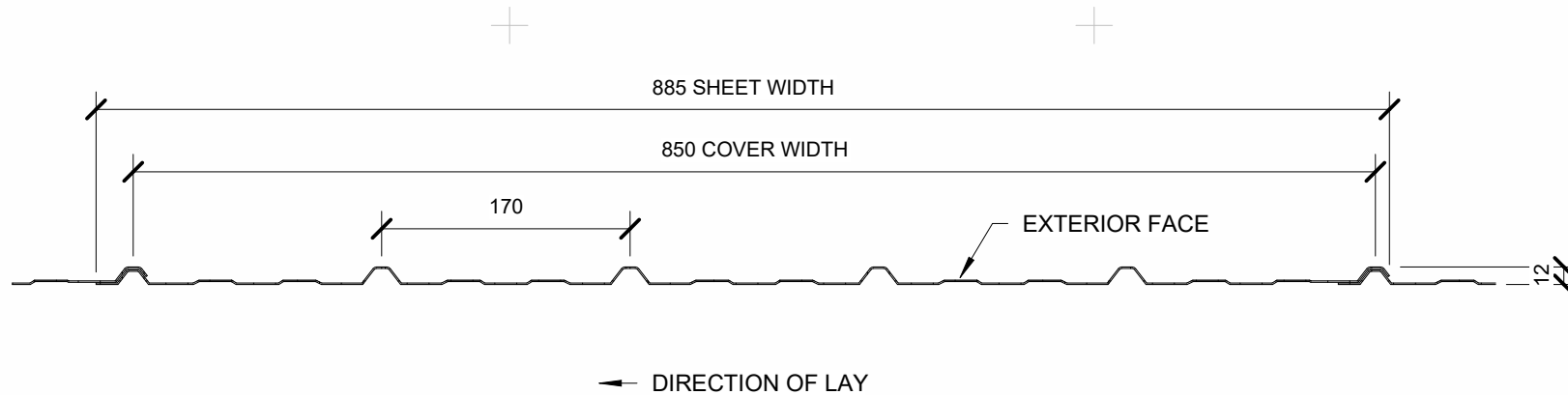
PROFILE DIMENSIONS ARE NOMINAL AND VARY WITH MANUFACTURING AND INSTALLATION TOLERANCES



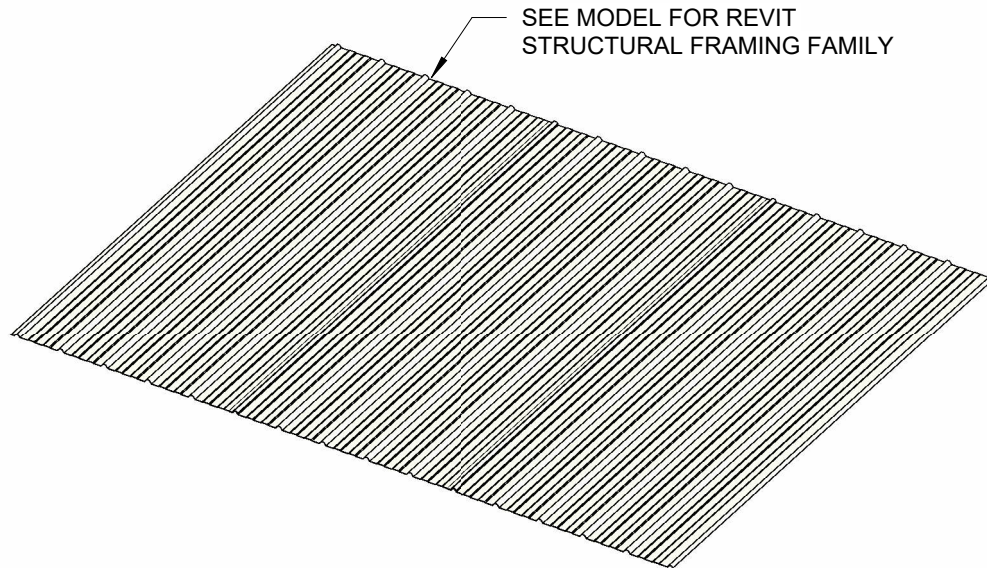
MINIMUM PITCH: 3 DEGREES AFTER DEFLECTION  
 APPLICATIONS: COMMERCIAL AND RESIDENTIAL  
 ORIENTATION: ROOFS AND VERTICAL WALL CLADDING

FOR MORE INFORMATION ON SCOPE AND LIMITATIONS OF USE REFER TO:  
[WWW.METALCRAFTGROUP.CO.NZ](http://WWW.METALCRAFTGROUP.CO.NZ)

FLAT PAN ONLY SUITABLE FOR WALL CLADDING.  
 SWAGES STANDARD FOR ALL ROOFING.  
 REFER TO PRODUCT SELECTOR FOR SUITABILITY IN WIND ZONES

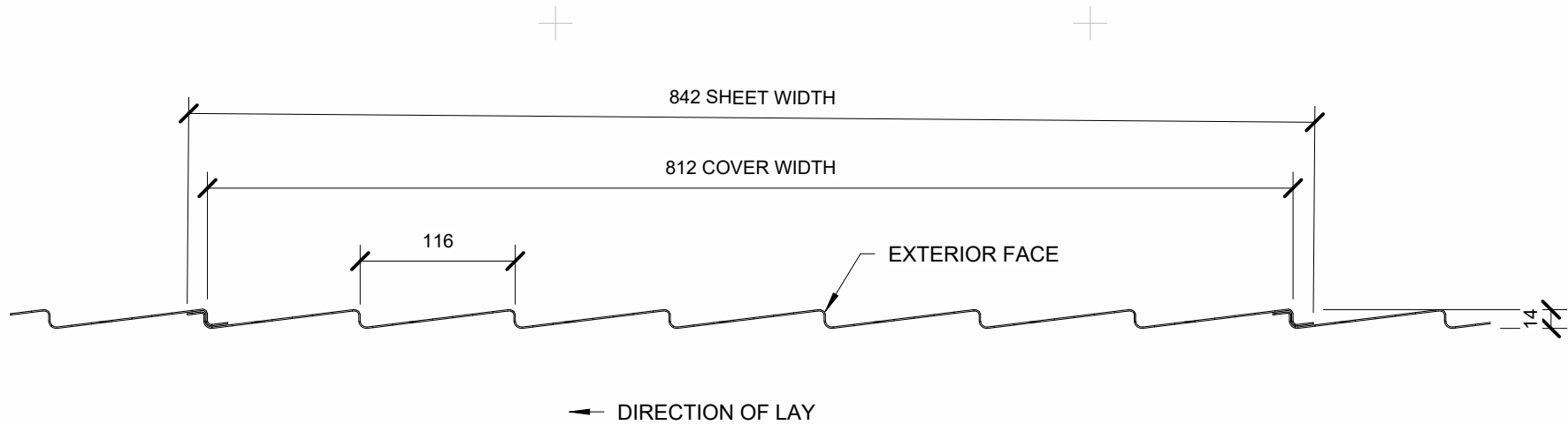


PROFILE DIMENSIONS ARE NOMINAL AND VARY WITH MANUFACTURING AND INSTALLATION TOLERANCES

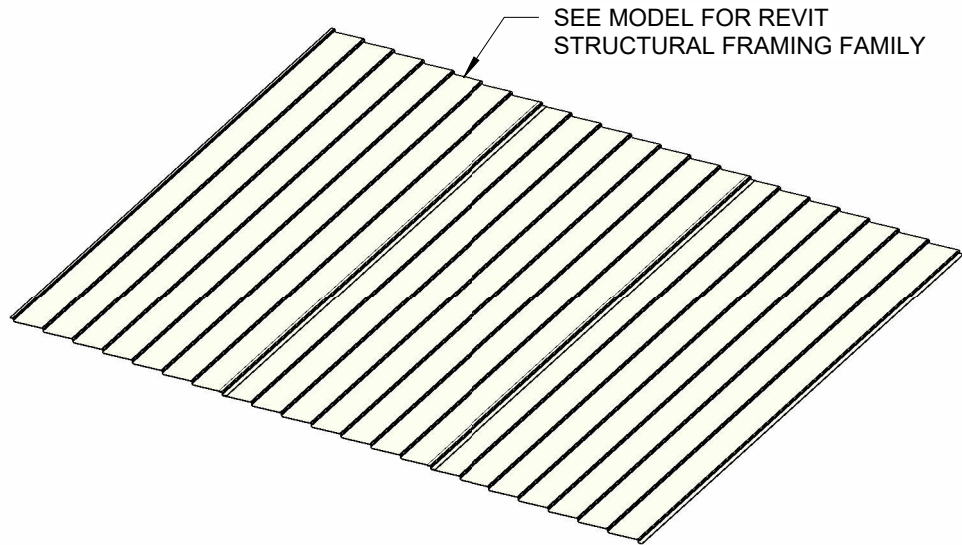


APPLICATIONS: COMMERCIAL AND RESIDENTIAL  
ORIENTATION: HORIZONTAL AND VERTICAL WALL CLADDING

FOR MORE INFORMATION ON SCOPE AND LIMITATIONS OF USE REFER TO:  
[WWW.METALCRAFTGROUP.CO.NZ](http://WWW.METALCRAFTGROUP.CO.NZ)



PROFILE DIMENSIONS ARE NOMINAL AND VARY WITH MANUFACTURING AND INSTALLATION TOLERANCES



APPLICATIONS: COMMERCIAL AND RESIDENTIAL  
ORIENTATION: HORIZONTAL WALL CLADDING

FOR MORE INFORMATION ON SCOPE AND LIMITATIONS OF USE REFER TO:  
[WWW.METALCRAFTGROUP.CO.NZ](http://WWW.METALCRAFTGROUP.CO.NZ)